

Security Cable Installation

Insert Cable through the slot on the bracket.

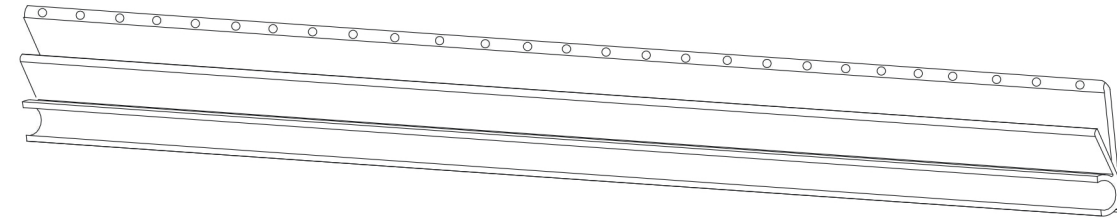


Hang your television and insert BearClaw security screw through the eyelet and into the wall.



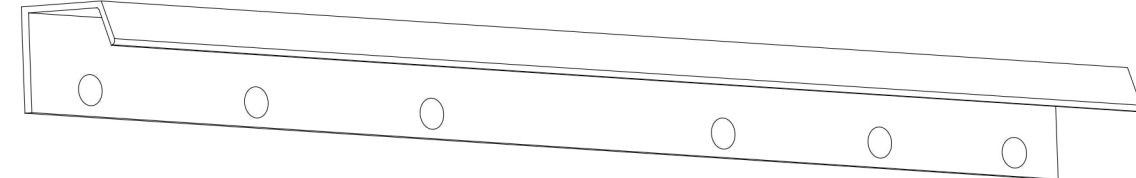
Parts List

Hangman 18" Wall Bracket



Level  20 Nails 

Hangman 18" TV Mounting Bracket



TV Mounting Bolts



Security Cable



BearClaw Security Cable Screw



CAUTION: "This wall mount is intended for use only with the maximum weights indicated. Use with products heavier than the maximum weights indicated may result in collapse of the mount and its accessories causing possible injury."



Designed, Manufactured & Tested In The U.S.A.

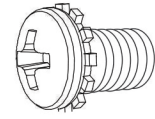


UL Rated for up to 80lbs. / 36.2kg

For Drywall Installation.

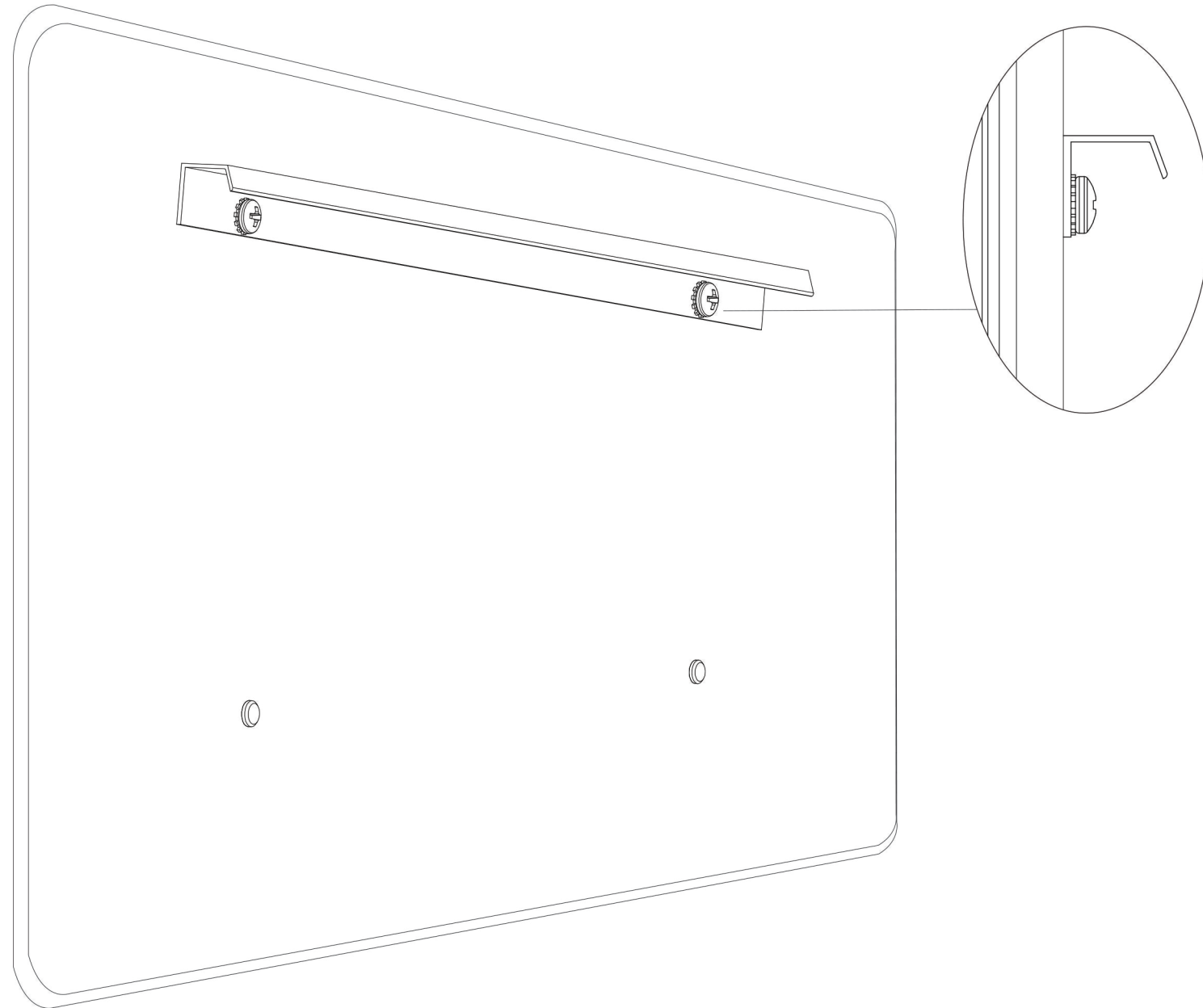
For other wall types please use our [Simple Mount TV Hanger \(S2060\)](#).

STEP 1: Place the TV face down on a soft surface where it is secure and stable. If your TV is already attached to the base, it must be removed by removing the screws holding the base. The TV will have 4 bolts in the back. Remove these, they are not required. The 4 inserts on the back of the TV are either 8mm or 6mm. This kit includes both sizes.

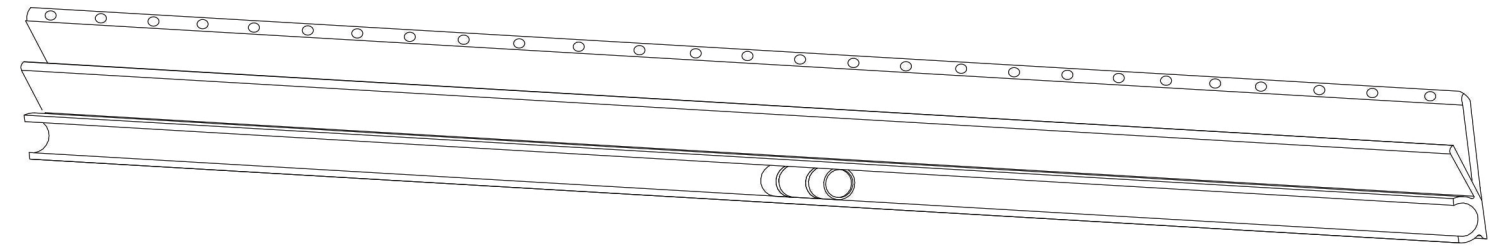


Note: It is very important to make sure to select the correct bolt diameter and length.

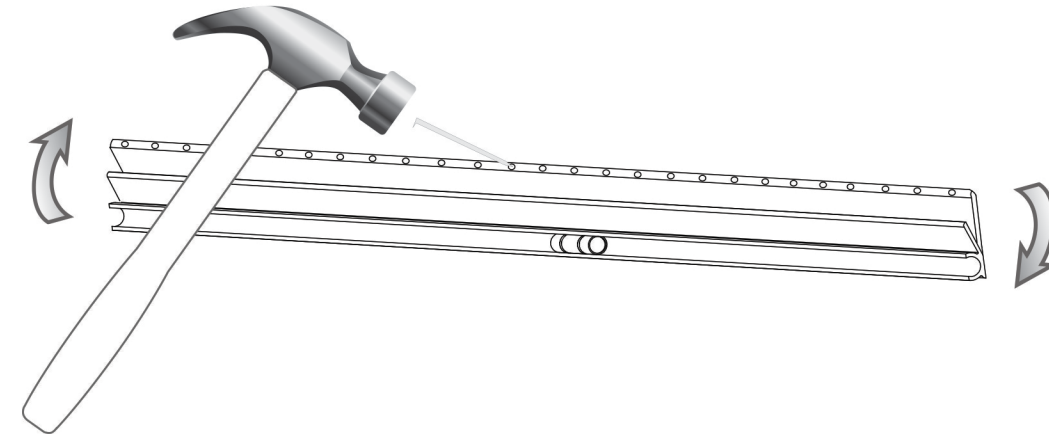
STEP 2: Attach TV mounting bracket to the top 2 holes using either the 8mm or 6mm bolts and lock washers. This kit also includes two lengths of each size (12mm and 16mm). Hand tighten to choose appropriate length then use a handheld Phillips screwdriver and tighten until snug. **Do not overtighten.**



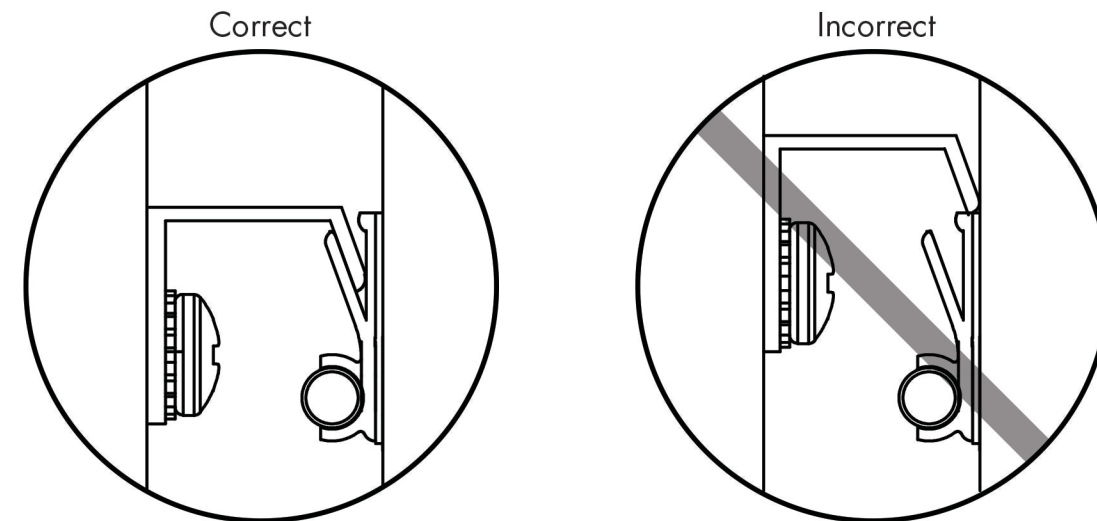
STEP 3: Locate the desired area and insert level vial into wall bracket.



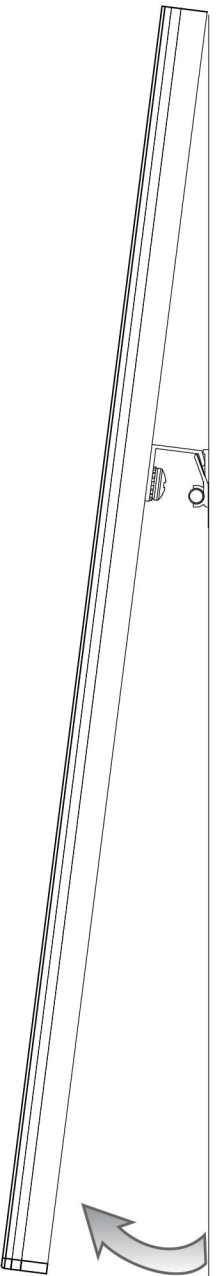
STEP 4: Hold the wall bracket in place and install center nail first. This will allow you to adjust the bracket and make sure it is level before installing the remaining nails.



STEP 5: Hang TV by engaging the TV bracket on top of the wall bracket. It can also be tilted out from the bottom for easy cable access.



TV can be tilted away from wall for cable access.



HANGMAN®