

# RED COPPER

## Better Pasta Pot™

### Locking Lid with Built-In Strainer

**IMPORTANT SAFETY INSTRUCTIONS, READ AND FOLLOW ALL WARNINGS AND INSTRUCTIONS BEFORE USING THIS PRODUCT. INJURY CAN RESULT FROM IMPROPER USE. SAVE THESE INSTRUCTIONS.**

#### **⚠ WARNING**

- **DO NOT USE THE PASTA POT OR GLASS LID IN THE OVEN.**
- Not oven, dishwasher or microwave safe.
- Use care when using the glass lid. As with any glassware for cooking, the lid could break due to sudden temperature changes or impact if it is dropped or knocked against a hard object.
- **DO NOT** apply sudden force to the glass lid, as it may shatter.
- **DO NOT** directly expose the glass lid to a burner or other source of heat.
- Allow lid to cool before washing.
- **DO NOT** allow damp fabric to contact the lid when the lid is hot.
- Wash by hand. Do not put in dishwasher.
- Avoid sudden temperature changes to lid.
- **DO NOT** put lid under faucet or in wet sink when it is hot.
- Immediately stop using the lid if the lid cracks, chips, or becomes badly scratched.
- **DO NOT** attempt to repair lid if it is chipped or cracked.
- **DO NOT** remove dried food from the lid with sharp or metal utensils as the lid may get damaged.
- Be careful when handling broken glass because the pieces may be extremely small and sharp.
- Always use care when handling hot cookware to avoid potential injury. Lid might become hot during prolonged cooking.
- Use oven mitts or pot holders when lifting the lid or the cookware.
- This product is for home use only. It is not intended for camping or commercial use.
- Monitor cookware during use to avoid potential injury to children or the risk of fire.
- Although the handles lock onto the lid, the weight of cooked contents and liquids vary, so always hold your thumbs down on the handles when draining the pot.

#### **⚠ WARNING**

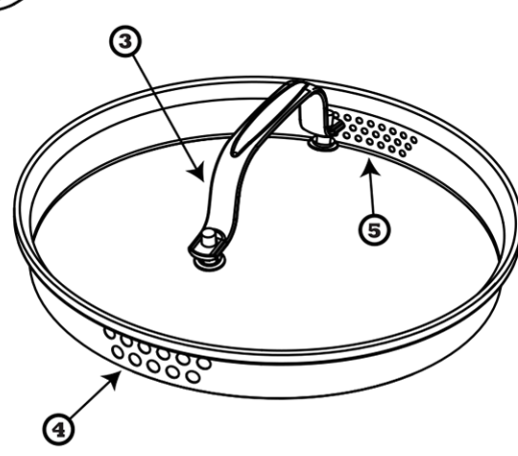
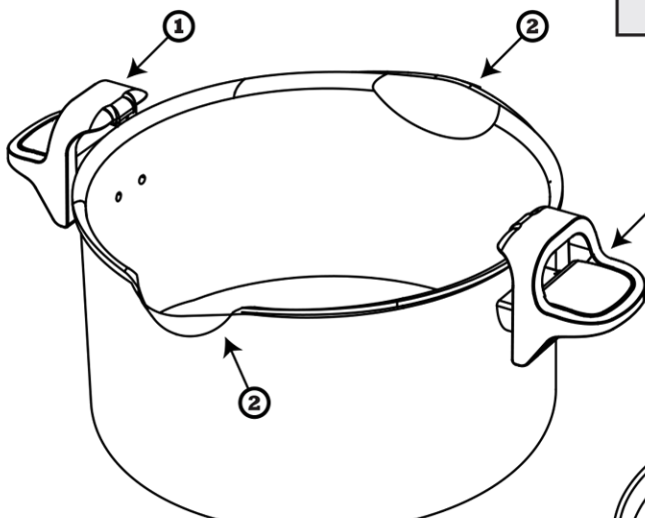
- Hot liquids can cause serious injury. Before commencing use, carefully read all the instructions.
- Escaping steam can cause severe burns. Do not lift the lid on a boiling pot suddenly. Always tilt it open away from you so that the steam escapes harmlessly. Remember to use potholders.
- To prevent escaping steam or hot liquid from scalding you, ensure that the lid is firmly locked.
- Always lift the pot with the handles located on the sides, never lift by using the handle located on the lid.
- Use potholders if handles become hot during cooking.
- Make sure that the handle does not jut out from the stove, to prevent the pot from being toppled over.
- Select appropriate sized burner. Flame size should cover only the bottom of the pot and not extend outside.
- From time to time, check for loose handles. Tighten screws if found to be loose. If the handles are riveted or welded to the pot, do not attempt to tighten.

#### **⚠ WARNING**

- Never lift a full pot by the center lid handle.



## Product Components



1. Locking Handles
2. Pour Spouts
3. Lid Handle
4. Large Straining Holes
5. Small Straining Holes

PRODUCT MAY VARY FROM IMAGES SHOWN

## How to Drain Hot Liquid Using the Lid

1. When placing the lid on the pot, make sure to line up the straining holes on the lid with the spouts on the pot. Please note that the small holes are for straining foods with finer pieces and the large holes are for straining foods with larger pieces. (Figure A)

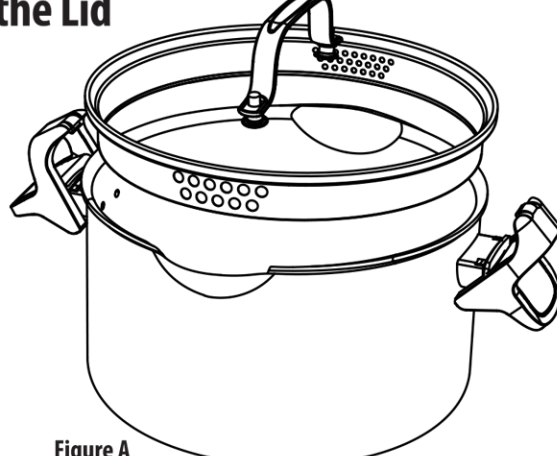


Figure A

2. To lock the lid to the pot, fold up both handles. (Figure B)

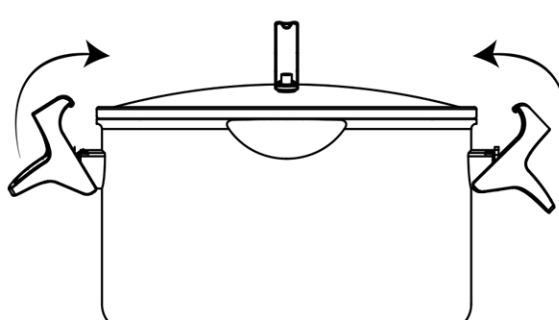


Figure B

3. Make sure that the handles are properly locked into place. (Figure C)

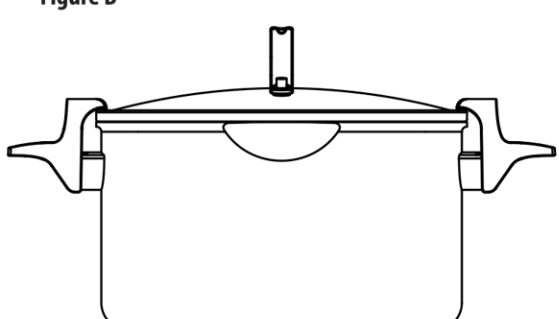


Figure C

4. To drain the hot liquid from the pot, hold the pot in such a way that the straining holes face away from you. Although the handles lock onto the lid, the weight of cooked contents and liquids vary, so always hold your thumbs down on the handles when draining the pot. (Figure D)

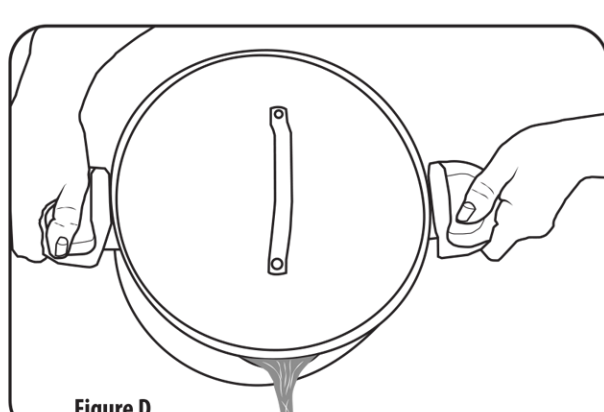


Figure D

Manufactured for  


Fairfield, NJ 07004

©2017 Telebrands

www.telebrands.com

Made in China

#### **LIMITATION OF LIABILITY**

*Liability limited to the purchase price of this product. Telebrands Corp. shall not be liable for any incidental or consequential damages or any implied warranty on this product. Some states do not allow the exclusion or limitation of incidental or consequential damages, so the above limitation or exclusion may not apply to you.*